



LED PLUS

WWW.LED-PLUS.NET

K-obertura

1(818)710-0361

1(818)710-0330

INFO@LED-PLUS.NET

High Power LED Flood

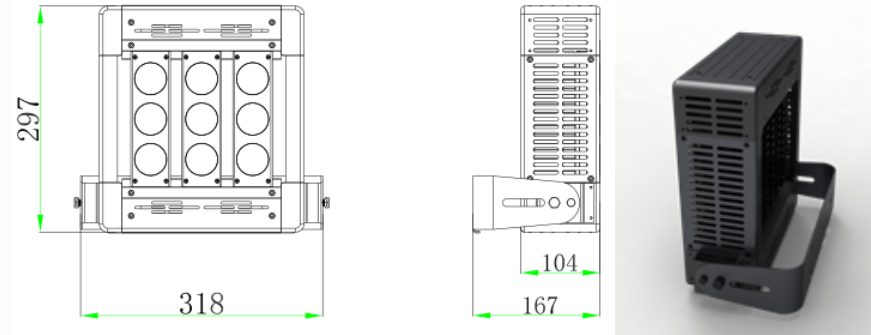


2015 ~ 2016

LPG-LFK-80W



- 5 years warranty use for 10 years
- CREE Chip and Mean Well Driver
- More than 60% energy saving
- High quality power supply, good cooling.
- Optical beam angle, suitable for outdoor stadium illumination



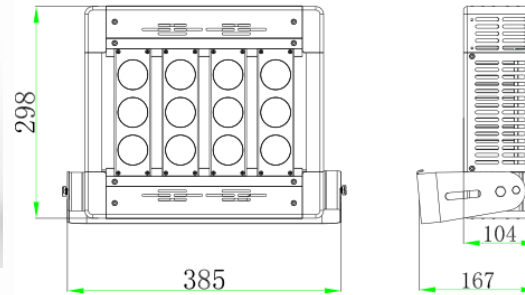
Model No.		LPG-LFK-80w
Specification		LED Flood Light
Power		80w
Driver		Meanwell
LED Light Source		CREE
Luminous Efficiency		100-130lm/W
Lumen		13000LM
Color Temperature		Cool White 5000-6500k
		Pure White 4000k
		Warm White 3000k
Central Illumination and Effective Area	10M Height	191m ² /135Lux
	20M Height	830m ² /42Lux
	30M Height	1632m ² /21.7Lux
	40M Height	2305m ² /13.7Lux

Power Factor	>0.98
Frequency Range	50-60Hz
Power Efficiency	>90%
Input Voltage	85-275VAC
Beam Angle	10/24/38/60/90 Deg
Color Rendering Index	80Ra+
Lifetime	80,000H
IP Grade	IP67
Working Temperature	-40°C - +80°C
Storage Temperature	-40°C - 50°C; 10% - 90% RH
Light Body Material	Aluminum Alloy
Certificate	CE/FCC/RoHS/DLC
Body Size(mm)	318*298*104
Net Weight(kg)	5

LPG-LFK-100W



- 5 years warranty use for 10 years
- CREE Chip and Mean Well Driver
- More than 60% energy saving
- High quality power supply, good cooling.
- Optical beam angle, suitable for outdoor stadium illumination



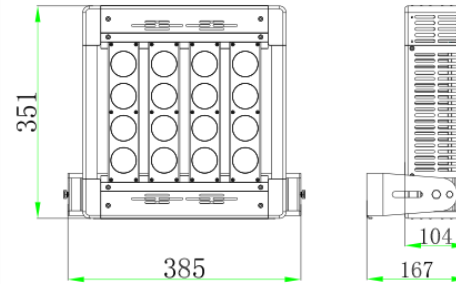
Model No.	LPG-LFK-100w	
Specification	LED Flood Light	
Power	100w	
Driver	Meanwell	
LED Light Source	CREE	
Luminous Efficiency	100-130lm/W	
Lumen	13000LM	
Color Temperature	Cool White 5000-6500k	
	Pure White 4000k	
	Warm White 3000k	
Central Illumination and Effective Area	10M Height	191m ² /135Lux
	20M Height	830m ² /42Lux
	30M Height	1632m ² /21.7Lux
	40M Height	2305m ² /13.7Lux

Power Factor	>0.98
Frequency Range	50-60Hz
Power Efficiency	>90%
Input Voltage	100-277VAC
Beam Angle	10/24/38/60/90 Deg
Color Rendering Index	80Ra+
Lifetime	80,000H
IP Grade	IP67
Working Temperature	-40°C - +80°C
Storage Temperature	-40°C - 50°C; 10% - 90% RH
Light Body Material	Aluminum Alloy
Certificate	CE/FCC/RoHS/DLC
Body Size(mm)	385*298*104
Net Weight(kg)	6

LPG-LFK-150W



- 5 years warranty use for 10 years
- CREE Chip and Mean Well Driver
- More than 60% energy saving
- High quality power supply, good cooling.
- Optical beam angle, suitable for outdoor stadium illumination



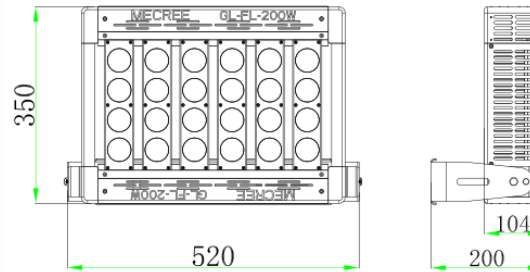
Model No.	LPG-LFK-150w	
Specification	LED Flood Light	
Power	150w	
Driver	Meanwell	
LED Light Source	CREE	
Luminous Efficiency	100-130lm/W	
Lumen	19500LM	
Color Temperature	Cool White 5000-6500k	
	Pure White 4000k	
	Warm White 3000k	
Central Illumination and Effective Area	10M Height	370m ² /185Lux
	20M Height	830m ² /62Lux
	30M Height	1485m ² /38Lux
	40M Height	2305m ² /21Lux

Power Factor	>0.98
Frequency Range	50-60Hz
Power Efficiency	>90%
Input Voltage	100-277VAC
Beam Angle	10/24/38/60/90 Deg
Color Rendering Index	80Ra+
Lifetime	80,000H
IP Grade	IP67
Working Temperature	-40°C - +80°C
Storage Temperature	-40°C - 50°C; 10% - 90% RH
Light Body Material	Aluminum Alloy
Certificate	CE/FCC/RoHS/DLC
Body Size(mm)	385*351*104
Net Weight(kg)	7

LPG-LFK-200W



- 5 years warranty use for 10 years
- CREE Chip and Mean Well Driver
- More than 60% energy saving
- High quality power supply, good cooling.
- Optical beam angle, suitable for outdoor stadium illumination



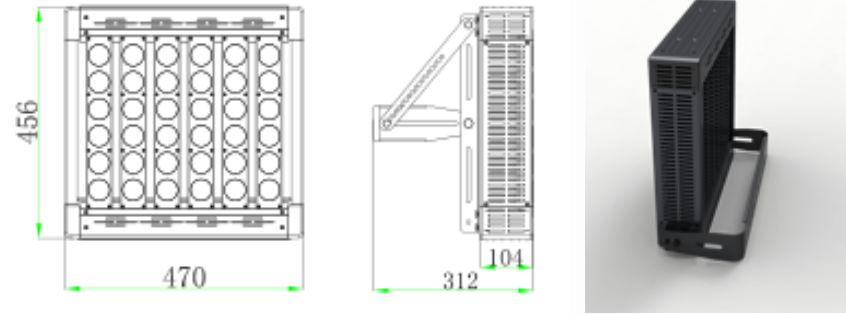
Model No.	LPG-LFK-200w	
Specification	LED Flood Light	
Power	200w	
Driver	Meanwell	
LED Light Source	CREE	
Luminous Efficiency	100-130lm/W	
Lumen	26000LM	
Color Temperature	Cool White 5000-6500k	
	Pure White 4000k	
	Warm White 3000k	
Central Illumination and Effective Area	10M Height	370m ² /245Lux
	20M Height	830m ² /61Lux
	30M Height	1485m ² /27Lux
	40M Height	2305m ² /15.4Lux

Power Factor	>0.98
Frequency Range	50-60Hz
Power Efficiency	>85%
Input Voltage	100-277VAC
Beam Angle	10/24/38/60/90 Deg
Color Rendering Index	80Ra+
Lifetime	80,000H
IP Grade	IP67
Working Temperature	-40°C - +80°C
Storage Temperature	-40°C - 50°C; 10% - 90% RH
Light Body Material	Aluminum Alloy
Certificate	CE/FCC/RoHS/DLC
Body Size(mm)	520*350*104
Net Weight(kg)	9

LPG-LFK-300W



- 5 years warranty use for 10 years
- CREE Chip and Mean Well Driver
- More than 60% energy saving
- High quality power supply, good cooling.
- Optical beam angle, suitable for outdoor stadium illumination



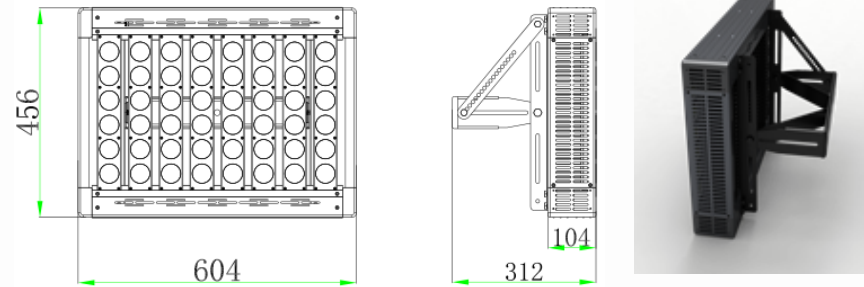
Model No.	LPG-LFK-300w	
Specification	LED Flood Light	
Power	300w	
Driver	Meanwell	
LED Light Source	CREE	
Luminous Efficiency	100-130lm/W	
Lumen	39000LM	
Color Temperature	Cool White 5000-6500k	
	Pure White 4000k	
	Warm White 3000k	
Central Illumination and Effective Area	10M Height	152m ² /648Lux
	20M Height	340m ² /162Lux
	30M Height	620m ² /72Lux
	40M Height	945m ² /40Lux

Power Factor	>0.98
Frequency Range	50-60Hz
Power Efficiency	>85%
Input Voltage	100-277VAC
Beam Angle	10/24/38/60/90 Deg
Color Rendering Index	80Ra+
Lifetime	80,000H
IP Grade	IP67
Working Temperature	-40°C - +80°C
Storage Temperature	-40°C - 50°C; 10% - 90% RH
Light Body Material	Aluminum Alloy
Certificate	CE/FCC/RoHS/DLC
Body Size(mm)	470*460*104
Net Weight(kg)	13

LPG-LFK-400W



- 5 years warranty use for 10 years
- CREE Chip and Mean Well Driver
- More than 60% energy saving
- High quality power supply, good cooling.
- Optical beam angle, suitable for outdoor stadium illumination

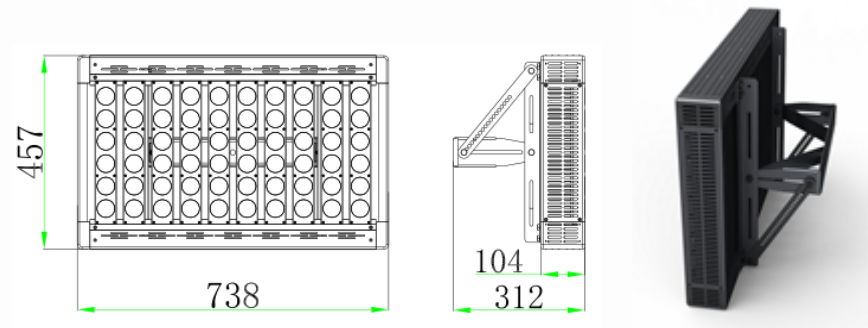


Model No.	LPG-LFK-400w	
Specification	LED Flood Light	
Power	400w	
Driver	Meanwell	
LED Light Source	CREE	
Luminous Efficiency	100-130lm/W	
Lumen	52000LM	
Color Temperature	Cool White 5000-6500k	
	Pure White 4000k	
	Warm White 3000k	
Central Illumination and Effective Area	10M Height	346m ² /892Lux
	20M Height	774m ² /223Lux
	30M Height	1378m ² /99Lux
	40M Height	2155m ² /55Lux

Power Factor	>0.98
Frequency Range	50-60Hz
Power Efficiency	>85%
Input Voltage	100-277VAC
Beam Angle	10/24/38/60/90 Deg
Color Rendering Index	80Ra+
Lifetime	80,000H
IP Grade	IP67
Working Temperature	-40°C -+80°C
Storage Temperature	-40°C -50°C;10%-90% RH
Light Body Material	Aluminum Alloy
Certificate	CE/FCC/RoHS/DLC
Body Size(mm)	604*456*104
Net Weight(kg)	16

LPG-LFK-500W

- 5 years warranty use for 10 years
- CREE Chip and Mean Well Driver
- More than 60% energy saving
- High quality power supply, good cooling.
- Optical beam angle, suitable for outdoor stadium illumination

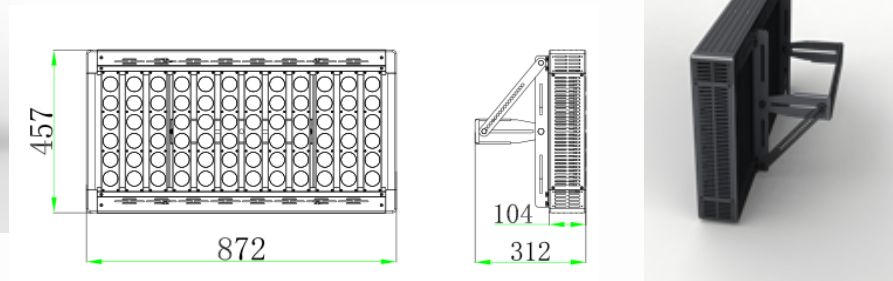


Model No.	LPG-LFK-500w	
Specification	LED Flood Light	
Power	500w	
Driver	Meanwell	
LED Light Source	CREE	
Luminous Efficiency	100-130lm/W	
Lumen	65000LM	
Color Temperature	Cool White 5000k	
	Pure White 4000k	
	Warm White 3000k	
Central Illumination and Effective Area	10M Height	152m ² /669Lux
	20M Height	342m ² /167Lux
	30M Height	606m ² /74Lux
	40M Height	950m ² /41Lux

Power Factor	>0.98
Frequency Range	50-60Hz
Power Efficiency	>85%
Input Voltage	100-277VAC
Beam Angle	10/24/38/60/90 Deg
Color Rendering Index	80Ra+
Lifetime	80,000H
IP Grade	IP67
Working Temperature	-40°C - +80°C
Storage Temperature	-40°C - 50°C; 10% - 90% RH
Light Body Material	Aluminum Alloy
Certificate	CE/FCC/RoHS/DLC
Body Size(mm)	738*457*104
Net Weight(kg)	18

LPG-LFK-600W

- 5 years warranty use for 10 years
- CREE Chip and Mean Well Driver
- More than 60% energy saving
- High quality power supply, good cooling.
- Optical beam angle, suitable for outdoor stadium illumination



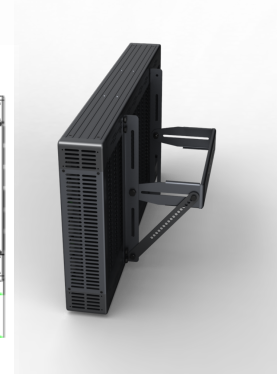
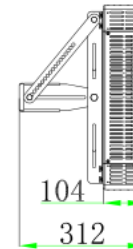
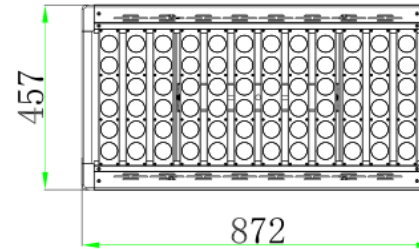
Model No.		LPG-LFK-600w
Specification		LED Flood Light
Power		650w
Driver		Meanwell
LED Light Source		CREE
Luminous Efficiency		100-130lm/W
Lumen		84500LM
Color Temperature		Cool White 5000-6500k
		Pure White 4000k
		Warm White 3000k
Central Illumination and Effective Area	10M Height	342m ² /779Lux
	20M Height	754m ² /194Lux
	30M Height	1372m ² /86Lux
	40M Height	2138m ² /48Lux

Power Factor	>0.98
Frequency Range	50-60Hz
Power Efficiency	>85%
Input Voltage	100-277VAC
Beam Angle	10/24/38/60/90 Deg
Color Rendering Index	80Ra+
Lifetime	80,000H
IP Grade	IP67
Working Temperature	-40°C -+80°C
Storage Temperature	-40°C -50°C;10%-90% RH
Light Body Material	Aluminum Alloy
Certificate	CE/FCC/RoHS/DLC
Body Size(mm)	872*457*104
Net Weight(kg)	22

LPG-LFK-700W



- 5 years warranty use for 10 years
- CREE Chip and Mean Well Driver
- More than 60% energy saving
- High quality power supply, good cooling.
- Optical beam angle, suitable for outdoor stadium illumination



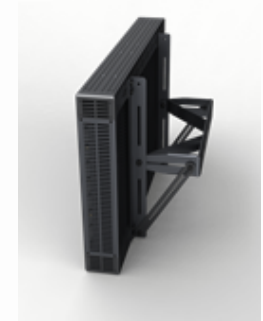
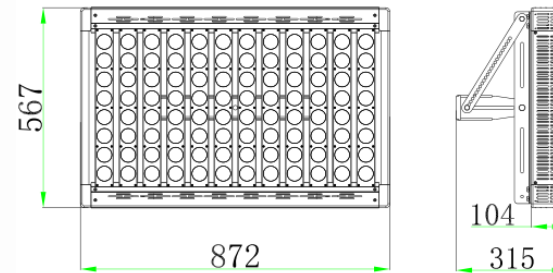
Model No.	LPG-LFK-700w	
Specification	LED Flood Light	
Power	700w	
Driver	Meanwell	
LED Light Source	CREE	
Luminous Efficiency	100-130lm/W	
Lumen	91000LM	
Color Temperature	Cool White 5000-6500k	
	Pure White 4000k	
	Warm White 3000k	
Central Illumination and Effective Area	10M Height	370m ² /867Lux
	20M Height	830m ² /264Lux
	30M Height	1485m ² /105Lux
	40M Height	2305m ² /68Lux

Power Factor	>0.98
Frequency Range	50-60Hz
Power Efficiency	>85%
Input Voltage	100-277VAC
Beam Angle	10/24/38/60/90 Deg
Color Rendering Index	80Ra+
Lifetime	80,000H
IP Grade	IP67
Working Temperature	-40°C - +80°C
Storage Temperature	-40°C - 50°C; 10% - 90% RH
Light Body Material	Aluminum Alloy
Certificate	CE/FCC/RoHS/DLC
Body Size(mm)	872*457*104
Net Weight(kg)	22

LPG-LFK-800W



- 5 years warranty use for 10 years
- CREE Chip and Mean Well Driver
- More than 60% energy saving
- High quality power supply, good cooling.
- Optical beam angle, suitable for outdoor stadium illumination



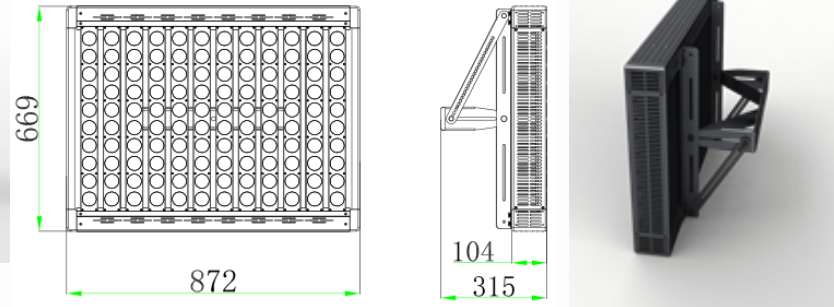
Model No.	LPG-LFK-800w	
Specification	LED Flood Light	
Power	800w	
Driver	Meanwell	
LED Light Source	CREE	
Luminous Efficiency	100-130lm/W	
Lumen	104000LM	
Color Temperature	Cool White 5000-6500k	
	Pure White 4000k	
	Warm White 3000k	
Central Illumination and Effective Area	10M Height	349m ² /1734Lux
	20M Height	615m ² /433Lux
	30M Height	1371m ² /1921ux
	40M Height	2180m ² /108Lux

Power Factor	>0.98
Frequency Range	50-60Hz
Power Efficiency	>85%
Input Voltage	100-277VAC
Beam Angle	10/24/38/60/90 Deg
Color Rendering Index	80Ra+
Lifetime	80,000H
IP Grade	IP67
Working Temperature	-40°C -+80°C
Storage Temperature	-40°C -50°C;10%-90% RH
Light Body Material	Aluminum Alloy
Certificate	CE/FCC/RoHS/DLC
Body Size(mm)	872*567*104
Net Weight(kg)	28

LPG-LFK-1000W



- 5 years warranty use for 10 years
- CREE Chip and Mean Well Driver
- More than 60% energy saving
- High quality power supply, good cooling.
- Optical beam angle, suitable for outdoor stadium illumination



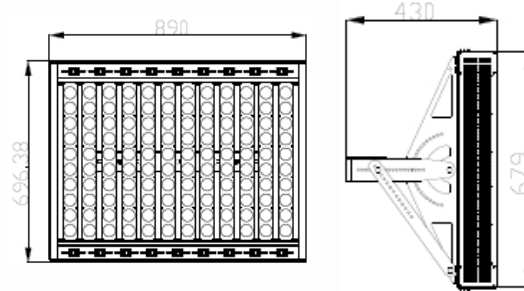
Model No.	LPG-LFK-1000w	
Specification	LED Flood Light	
Power	1000w	
Driver	Meanwell	
LED Light Source	CREE	
Luminous Efficiency	100-130lm/W	
Lumen	130000LM	
Color Temperature	Cool White 5000-6500k	
	Pure White 4000k	
	Warm White 3000k	
Central Illumination and Effective Area	10M Height	154m ² /1388Lux
	20M Height	349m ² /347Lux
	30M Height	620m ² /154Lux
	40M Height	962m ² /89Lux

Power Factor	>0.98
Frequency Range	50-60Hz
Power Efficiency	>85%
Input Voltage	100-277VAC
Beam Angle	10/24/38/60/90 Deg
Color Rendering Index	80Ra+
Lifetime	80,000H
IP Grade	IP67
Working Temperature	-40°C - +80°C
Storage Temperature	-40°C - 50°C; 10% - 90% RH
Light Body Material	Aluminum Alloy
Certificate	CE/FCC/RoHS/DLC
Body Size(mm)	872*669*104
Net Weight(kg)	40

LPG-LFK-1500W



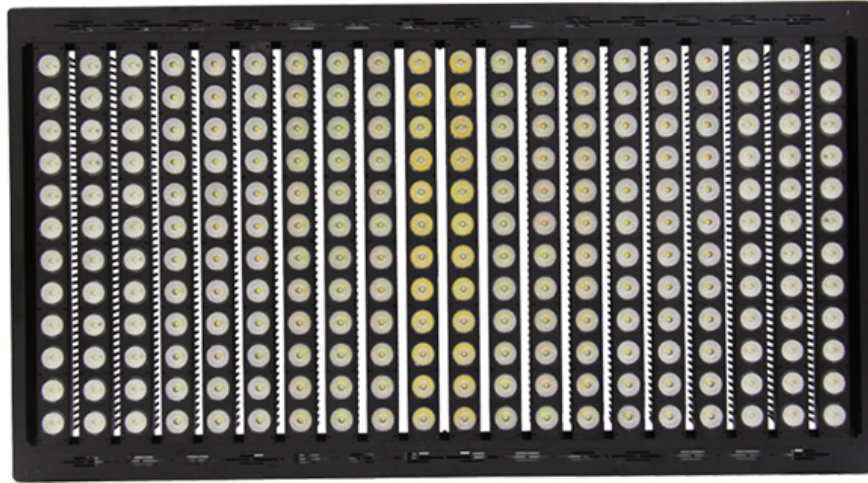
- 5 years warranty use for 10 years
- CREE Chip and Mean Well Driver
- More than 60% energy saving
- High quality power supply, good cooling.
- Optical beam angle, suitable for outdoor stadium illumination



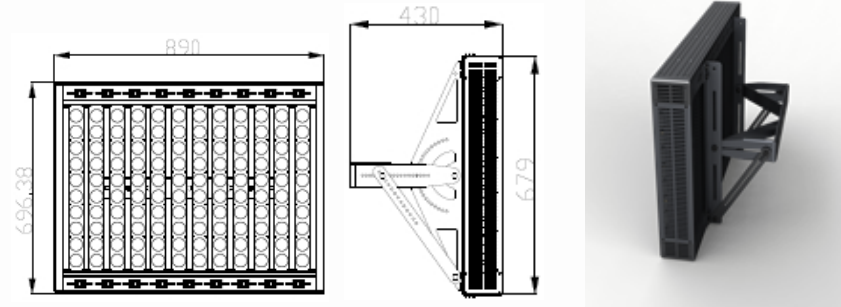
Model No.	LPG-LFK-2000w	
Specification	LED Flood Light	
Power	1500w	
Driver	Meanwell	
LED Light Source	CREE	
Luminous Efficiency	100-130lm/W	
Lumen	195000LM	
Color Temperature	Cool White 5000-6500k	
	Pure White 4000k	
	Warm White 3000k	
Central Illumination and Effective Area	10M Height	154m ² /1388Lux
	20M Height	349m ² /347Lux
	30M Height	620m ² /154Lux
	40M Height	962m ² /89Lux

Power Factor	>0.98
Frequency Range	50-60Hz
Power Efficiency	>85%
Input Voltage	100-277VAC
Beam Angle	10/24/38/60/90 Deg
Color Rendering Index	80Ra+
Lifetime	80,000H
IP Grade	IP67
Working Temperature	-40°C -+80°C
Storage Temperature	-40°C -50°C;10%-90% RH
Light Body Material	Aluminum Alloy
Certificate	CE/FCC/RoHS/DLC
Body Size(mm)	1020*785*104
Net Weight(kg)	55

LPG-LFK-2000W



- 5 years warranty use for 10 years
- CREE Chip and Mean Well Driver
- More than 60% energy saving
- High quality power supply, good cooling.
- Optical beam angle, suitable for outdoor stadium illumination



Model No.	LPG-LFK-2000w	
Specification	LED Flood Light	
Power	2000w	
Driver	Meanwell	
LED Light Source	CREE	
Luminous Efficiency	100-130lm/W	
Lumen	260000LM	
Color Temperature	Cool White 5000-6500k	
	Pure White 4000k	
	Warm White 3000k	
Central Illumination and Effective Area	10M Height	154m ² /1388Lux
	20M Height	349m ² /347Lux
	30M Height	620m ² /154Lux
	40M Height	962m ² /89Lux

Power Factor	>0.98
Frequency Range	50-60Hz
Power Efficiency	>85%
Input Voltage	100-277VAC
Beam Angle	10/24/38/60/90 Deg
Color Rendering Index	80Ra+
Lifetime	80,000H
IP Grade	IP67
Working Temperature	-40°C -+80°C
Storage Temperature	-40°C -50°C;10%-90% RH
Light Body Material	Aluminum Alloy
Certificate	CE/FCC/RoHS/DLC
Body Size(mm)	1020*865*104
Net Weight(kg)	78