



SA Occupancy Sensors Range by Smart-G4



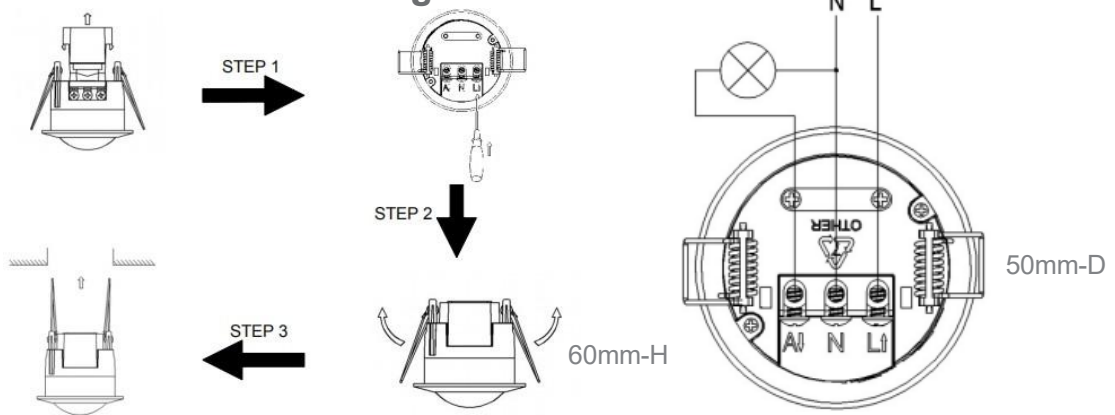


In-Ceiling Mount SA 220VAC Occupancy PIR sensor with Lux (adjustable sensitivity and time)

Model: SA-OPIR8-ICM



Installation and Connection Diagram:



Specification:

Model:	SA-OPIR8-ICM
Sensor Technology:	pir sensor and Switching Transducer
Sensing Range:	<8M (<24°C)
Ambient Light:	3-2000LUX (adjustable)
Time-Delay:	min.10sec±3sec Max: 7min±2min
Input Voltage:	AC110-240V
Frequency:	50/60Hz
Power Consumption:	0.45w(work) 0.1w(static)
Output Voltage:	AC110-240V
Load Type Range:	1200W (incandescent lamp) 300W (energy-saving lamp)
AVG Rated Load:	800mA
Operating Temperature:	-15-+40degree
Mounting Type:	Ceiling at Height 2.2-4m
Summary:	SA 220 Occupancy pir sensor & Lux sensor (adjustable sensitivity and time)
Detection Range:	360° , <8m

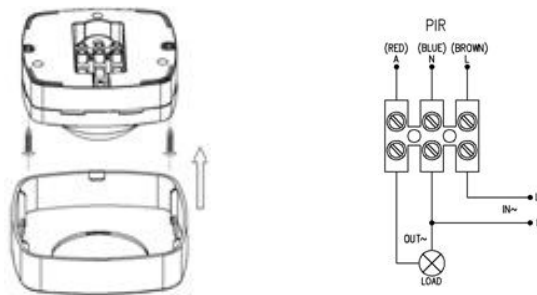


Ceiling-Mount SA 220VAC Occupancy PIR sensor with Lux (adjustable sensitivity and time)

Model: SA-OPIR8-CM



Installation and Connection Diagram:



Specification:

Model:	SA-OPIR8-CM
Sensor Technology:	pir sensor and Switching Transducer
Sensing Range:	<8M (<24°C)
Ambient Light:	3-2000LUX (adjustable)
Time-Delay:	min.10sec±3sec Max: 7min±2min
Input Voltage:	AC110-240V
Frequency:	50/60Hz
Power Consumption:	0.45w(work) 0.1w(static)
Output Voltage:	AC110-240V
Load Type Range:	1200W (incandescent lamp) 300W (energy-saving lamp)
AVG Rated Load:	800mA
Operating Temperature:	-15-+40degree
Mounting Type:	Ceiling at Height 2.2-4m
Summary:	SA 220 Occupancy pir sensor & Lux sensor (adjustable sensitivity and time)
Detection Range:	360° , <8m

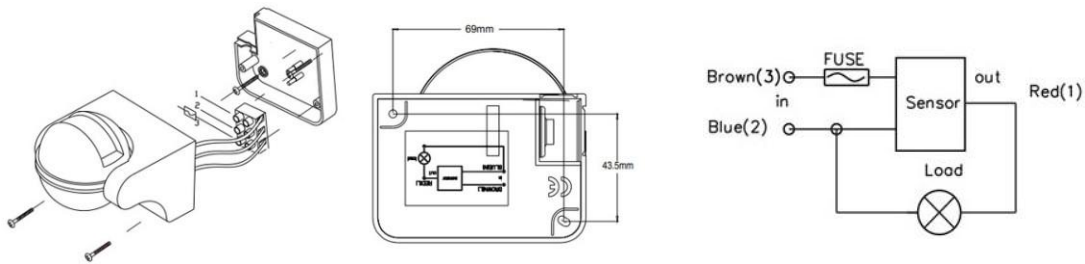


Wall-Mount SA 220VAC Occupancy PIR sensor with Lux (adjustable sensitivity and time)

Model: SA-OPIR10-WM



Installation and Connection Diagram:



Specification:

Model:	SA-OPIR10-WM
Sensor Technology:	pir sensor and Switching Transducer
Sensing Range:	<10M (<24°C)
Ambient Light:	3-2000LUX (adjustable)
Time-Delay:	min.10sec±3sec Max: 7min±2min
Input Voltage:	AC110-240V
Frequency:	50/60Hz
Power Consumption:	0.45w(work) 0.1w(static)
Output Voltage:	AC110-240V
Load Type Range:	1200W (incandescent lamp) 300W (energy-saving lamp)
AVG Rated Load:	800mA
Operating Temperature:	-15-+40degree
Mounting Type:	Wall at Height 1.8-2.5m
Summary:	SA 220 Occupancy pir sensor & Lux sensor (adjustable sensitivity and time)
Detection Range:	180° , <10m



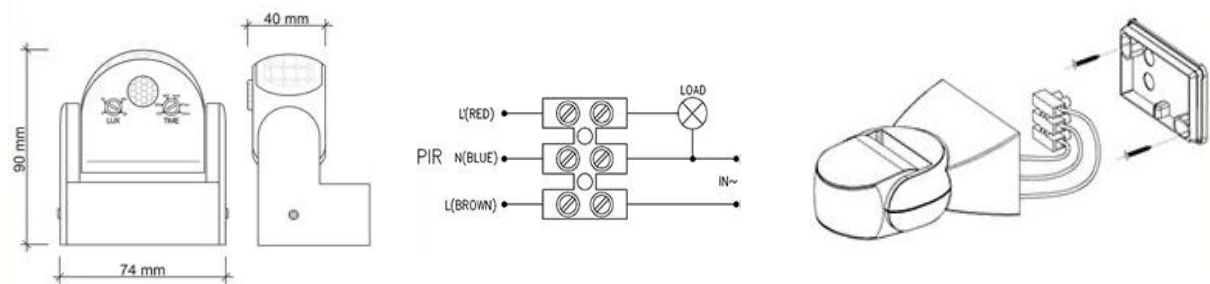
Outdoor Occupancy PIR Dual Wall / Ceiling Mount SA 220VAC IP65 Waterproof PIR sensor with Lux (adjustable sensitivity and time)

Model: SA-IP-OPIR12-WCM



CE

Installation and Connection Diagram:

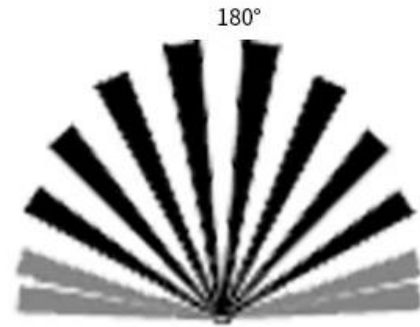
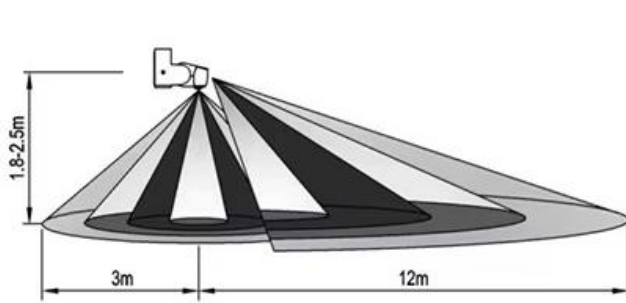


Specification:

Model:	SA-IP-OPIR12-WCM
Sensor Technology:	pir sensor and Switching Transducer
Sensing Range:	<12M (<24°C)
Ambient Light:	10-500 LUX (adjustable)
Time-Delay:	min.10sec±3sec Max: 15min±2min
Input Voltage:	AC220-240V
Frequency:	50/60Hz
Power Consumption:	0.45w(work) 0.1w(static)
Output Voltage:	AC220-240V
Load Type Range:	1200W (incandescent lamp) 300W (energy-saving lamp)
AVG Rated Load:	800mA
Operating Temperature:	-15-+40degree
Mounting Type:	Wall at Height 1.8-2.5m
Summary: and time)	SA 220 Outdoor Occupancy pir sensor & Lux sensor (adjustable sensitivity
Detection Range:	180° , <12m



Model: SA-IP-OPIR12-WCM



Height of installation: 1.8-2.5m

Detection Distance: 12m max (<24°C)

Application scenarios

