

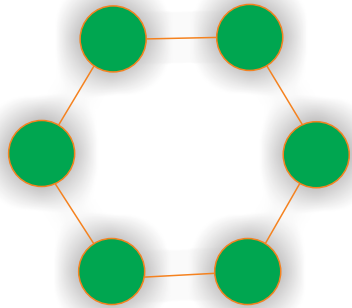


# Royal G4 **Mini-Hornet** Wiring Ideas

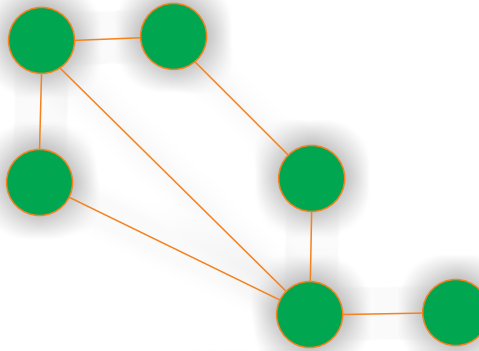
## Best solution for Mass Real Estate 2021



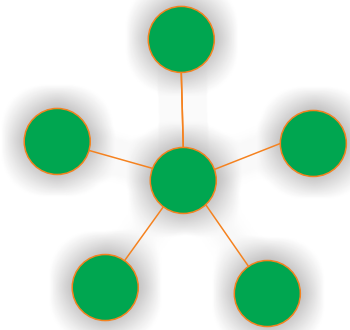
# Mini-Hornet Flexible Control Wiring Topology Powered by S-BUSpro G4



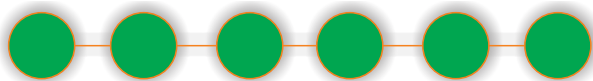
Ring - Closed Loop



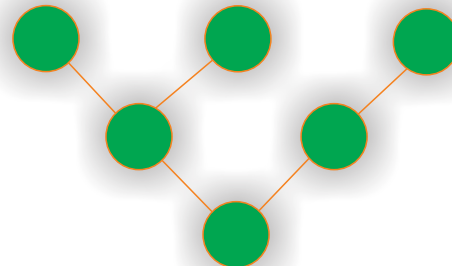
MESH



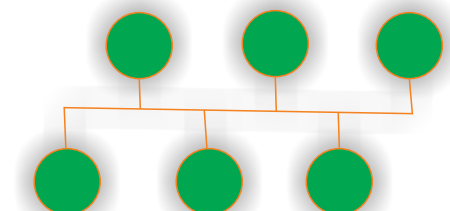
STAR



Line -Open Loop



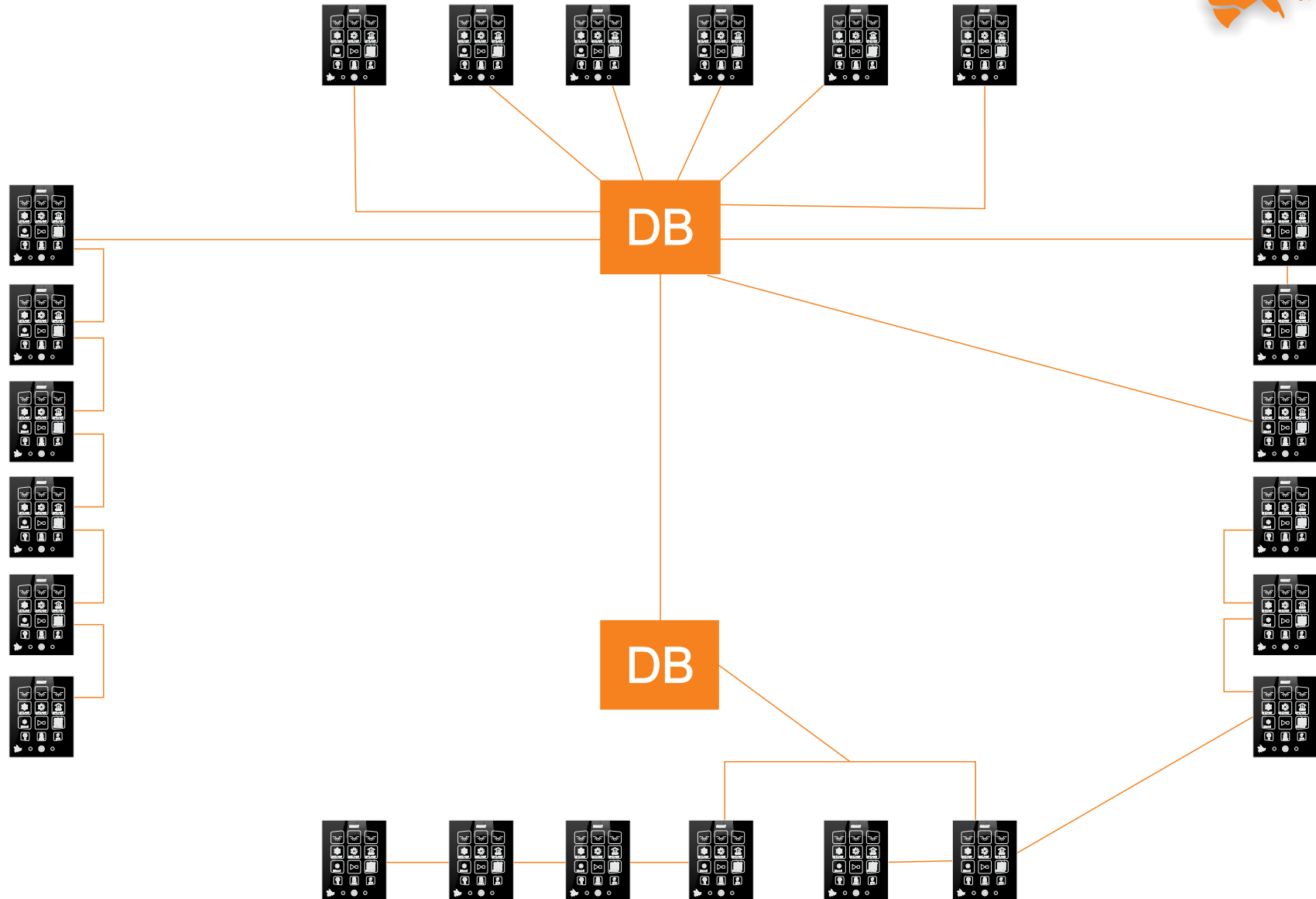
TREE



Daisy Chain Open

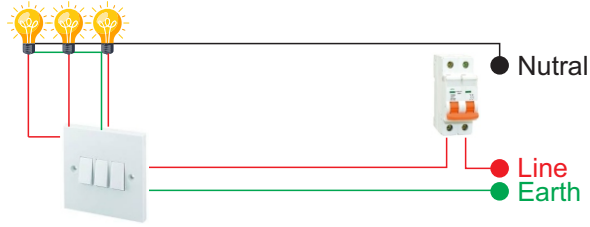
# General

## Mini-Hornet Flexible Wiring Example

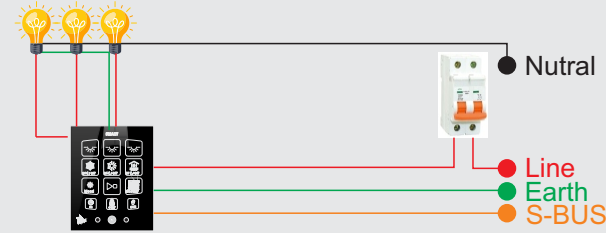


# General

## Standard Wiring vs. Hornet Wiring

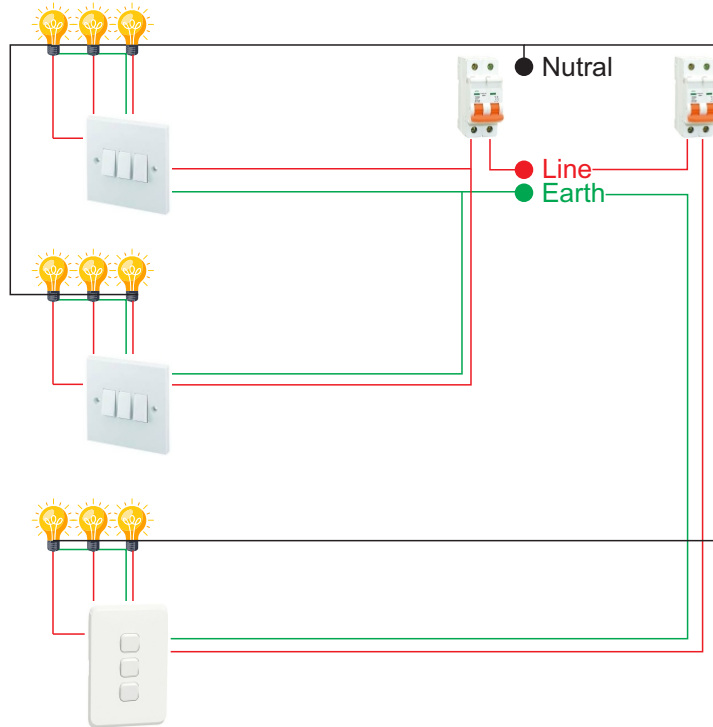


Standard Electric Lights Wiring

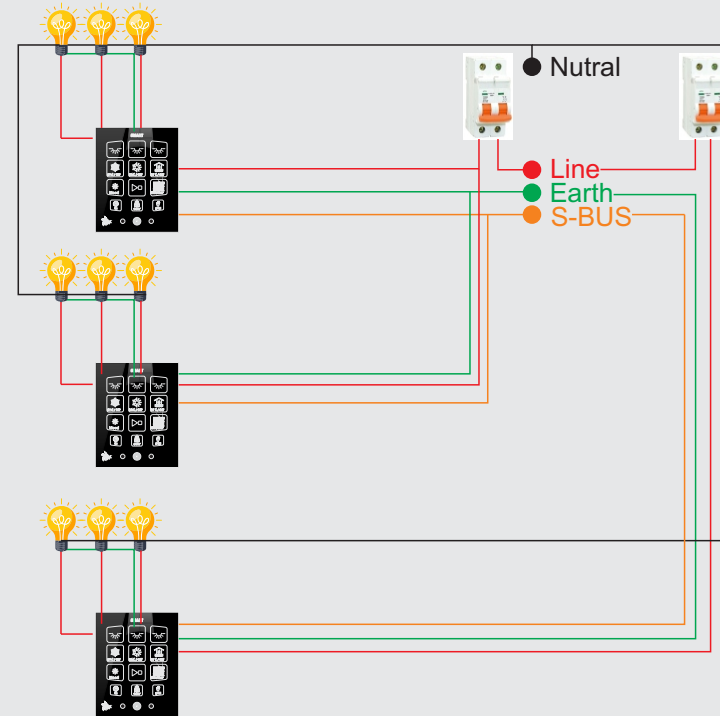


Enhanced Standard Electric Lights Wiring with Control Cable

### One Section One Phase

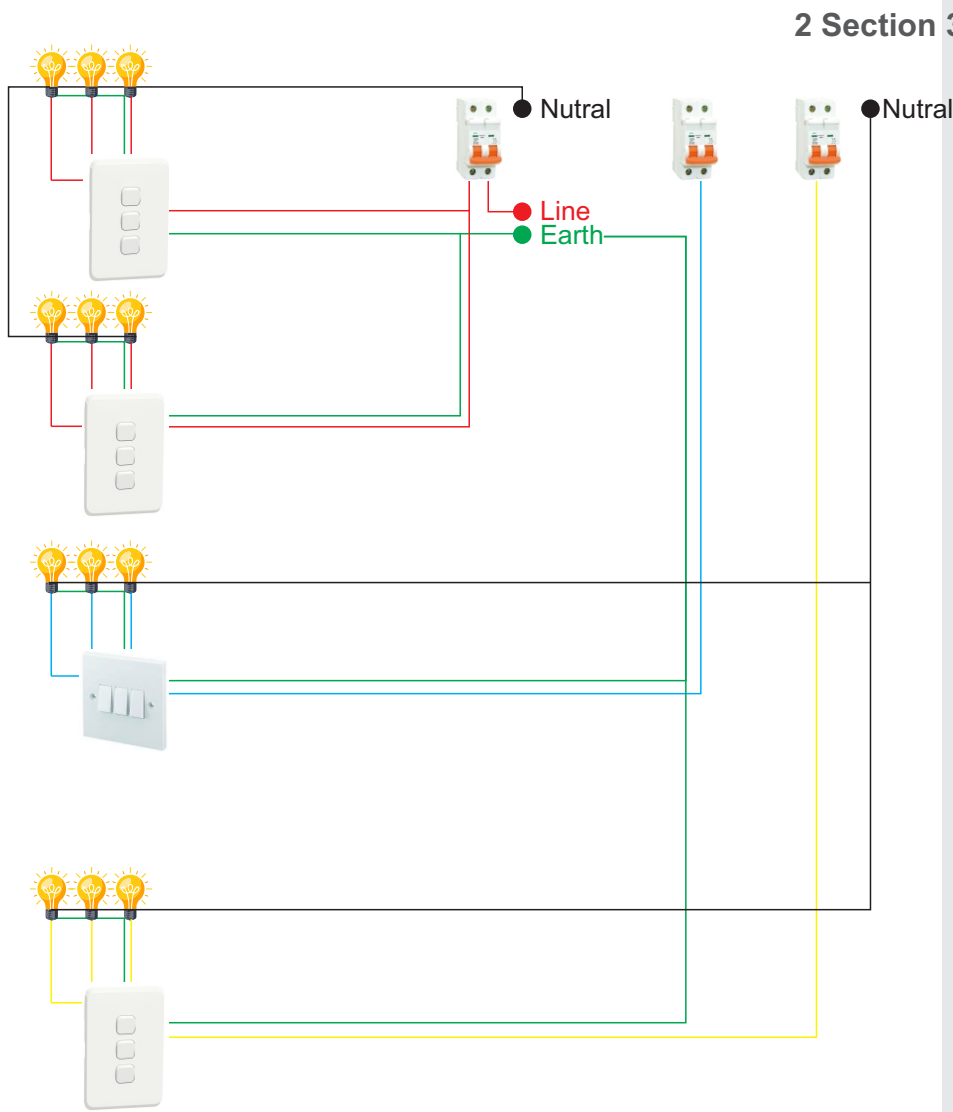


3Rooms Standard Electric Lights Wiring Example

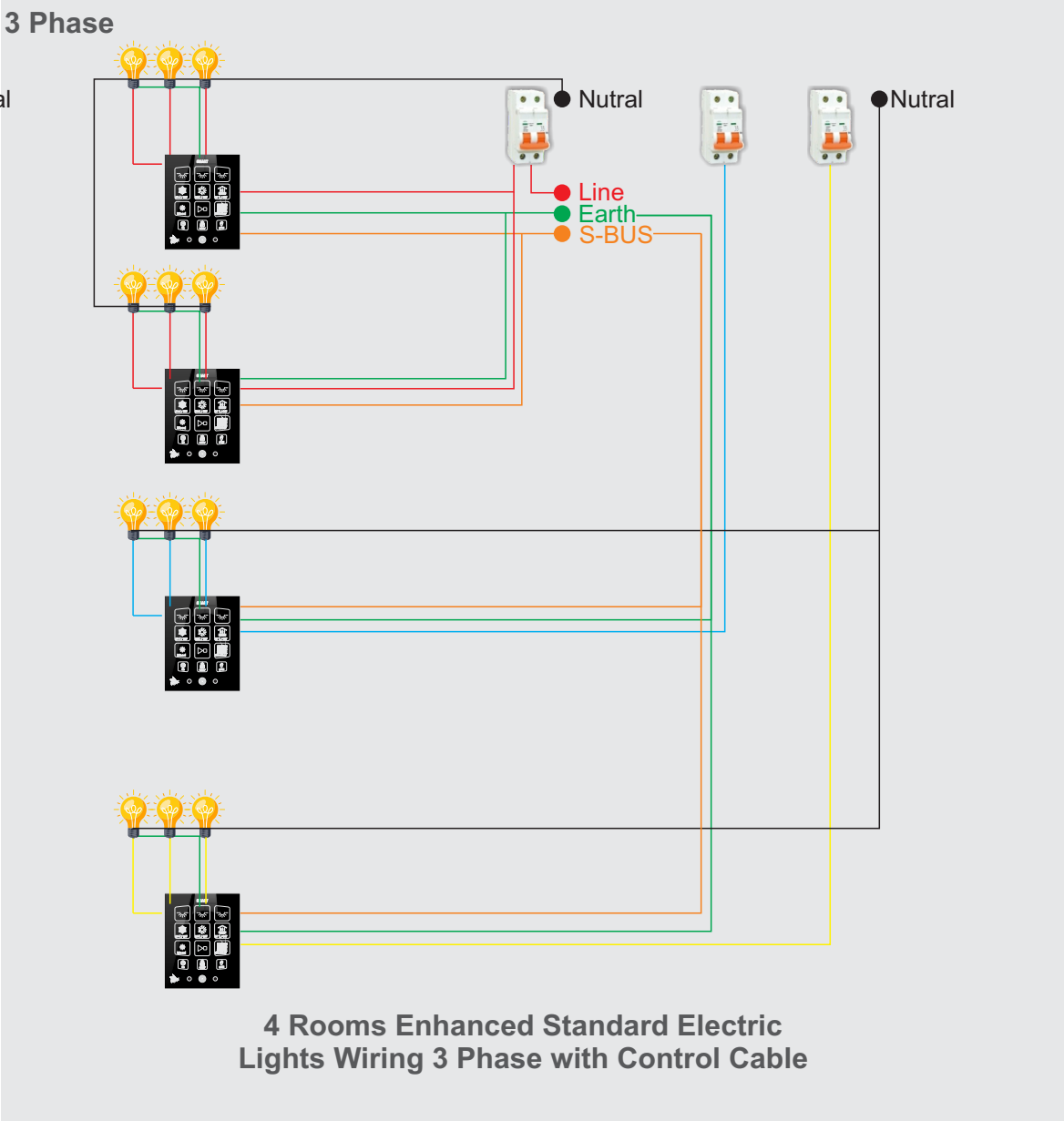


3 Rooms Enhanced Standard Electric Lights Wiring with Control Cable

- Main Cable
- Line 220V
- Neutral
- Earth
- Control STP



4 Rooms Standard Electric Lights Wiring 3 Phase

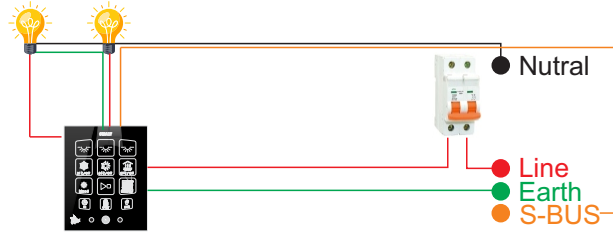


4 Rooms Enhanced Standard Electric Lights Wiring 3 Phase with Control Cable

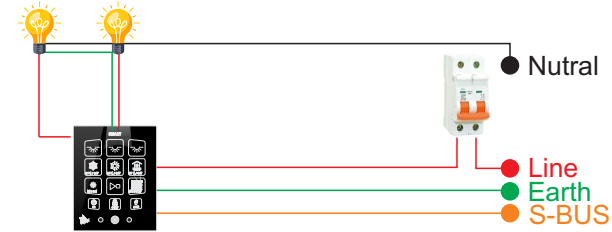
- Main Cable
- Line 220V
- Neutral
- Earth
- Control STP

# General

## As Easier Add your Control Cable

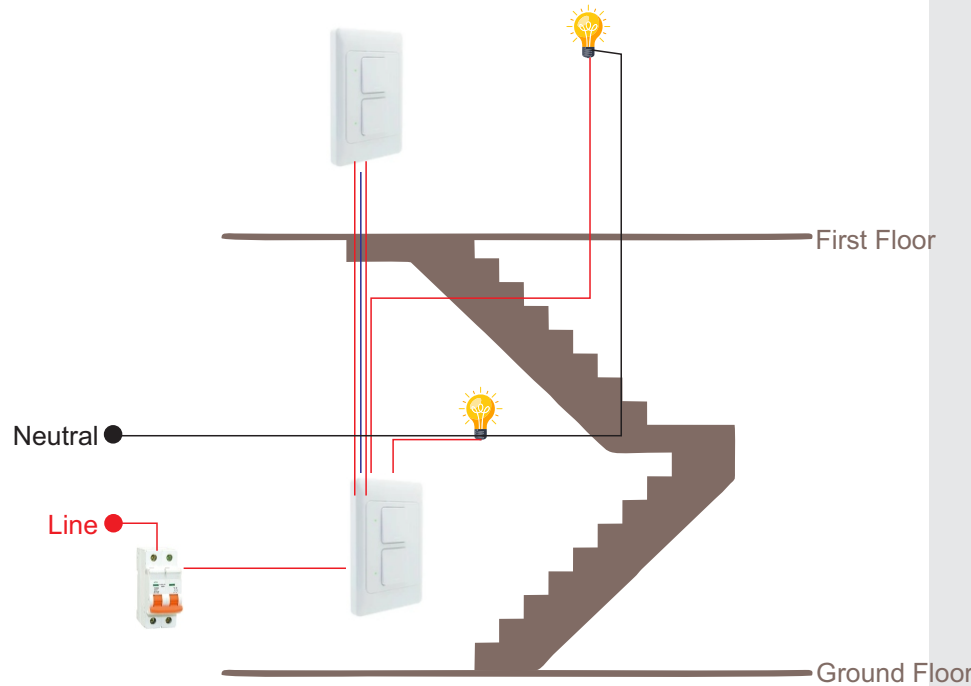


Pulling The Control Cable within Nutral Ceiling Conduit

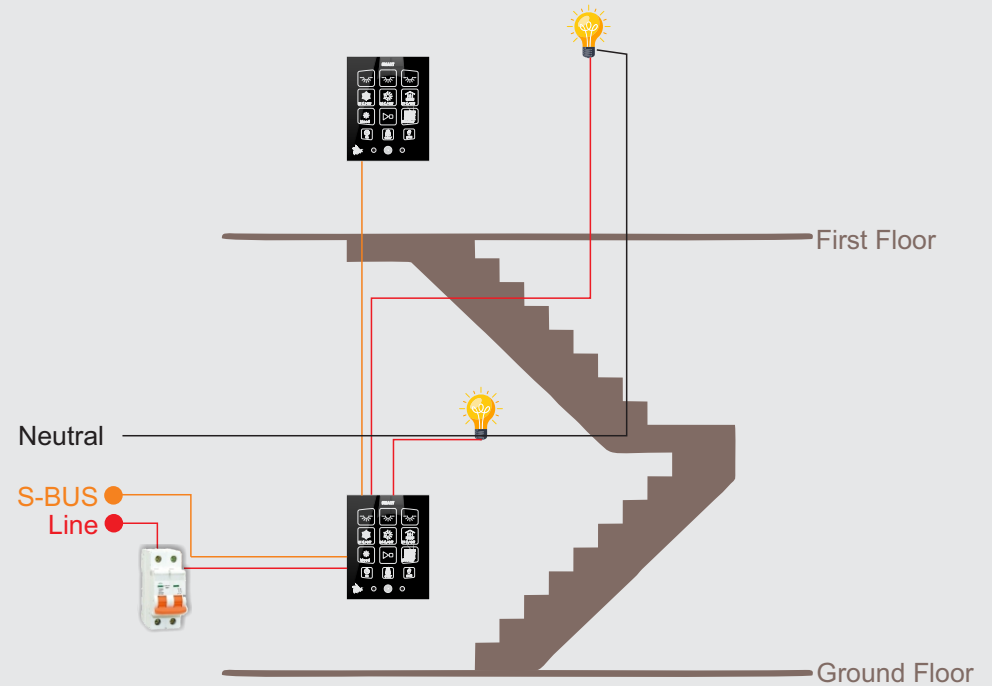


Pulling The Control Cable within Electric Phase Wall Conduit

## 2-Way Wiring Example (Staircase)

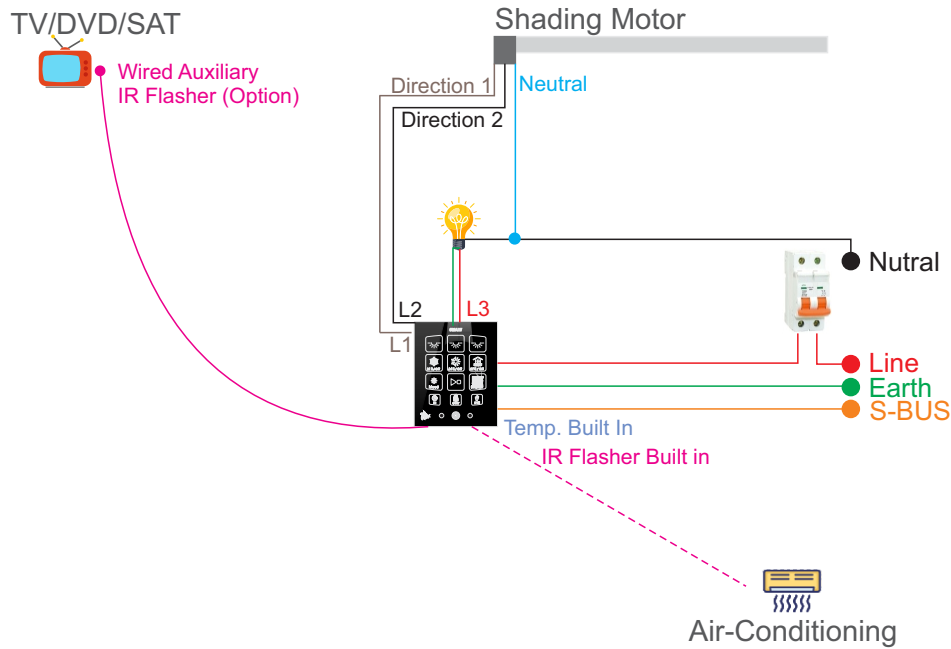


Standard 2-way Wiring

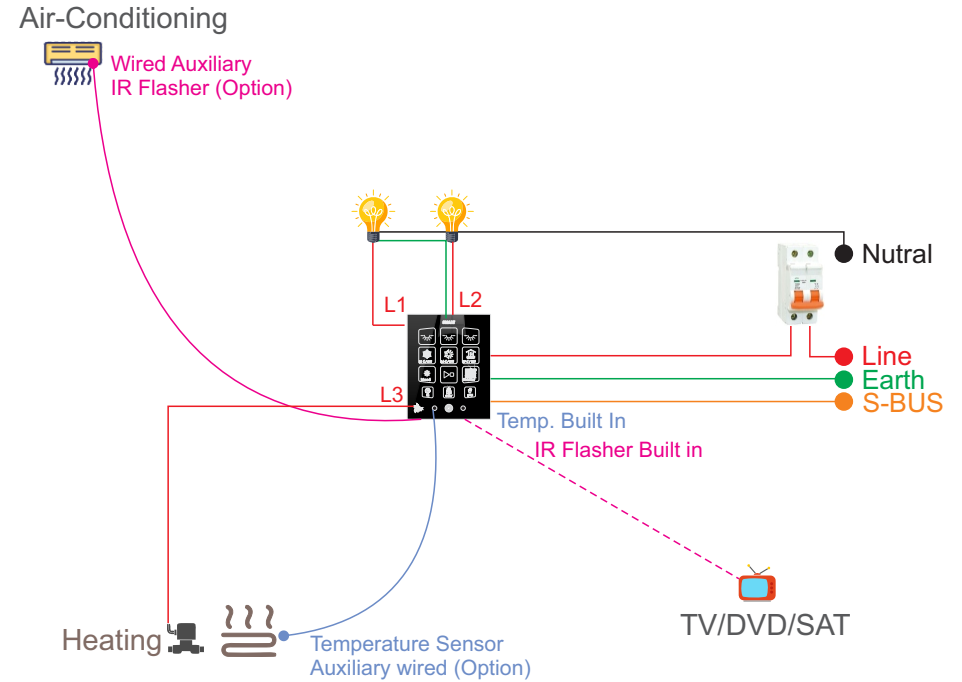


Enhanced 2-way Wiring

- Main Cable
- Line 220V
- Neutral
- Earth
- Control STP



**Shading Motor and Lighting with IR Cassette AC and TV Control**



**Floor Heating and Lighting with IR Cassette AC and TV Control**

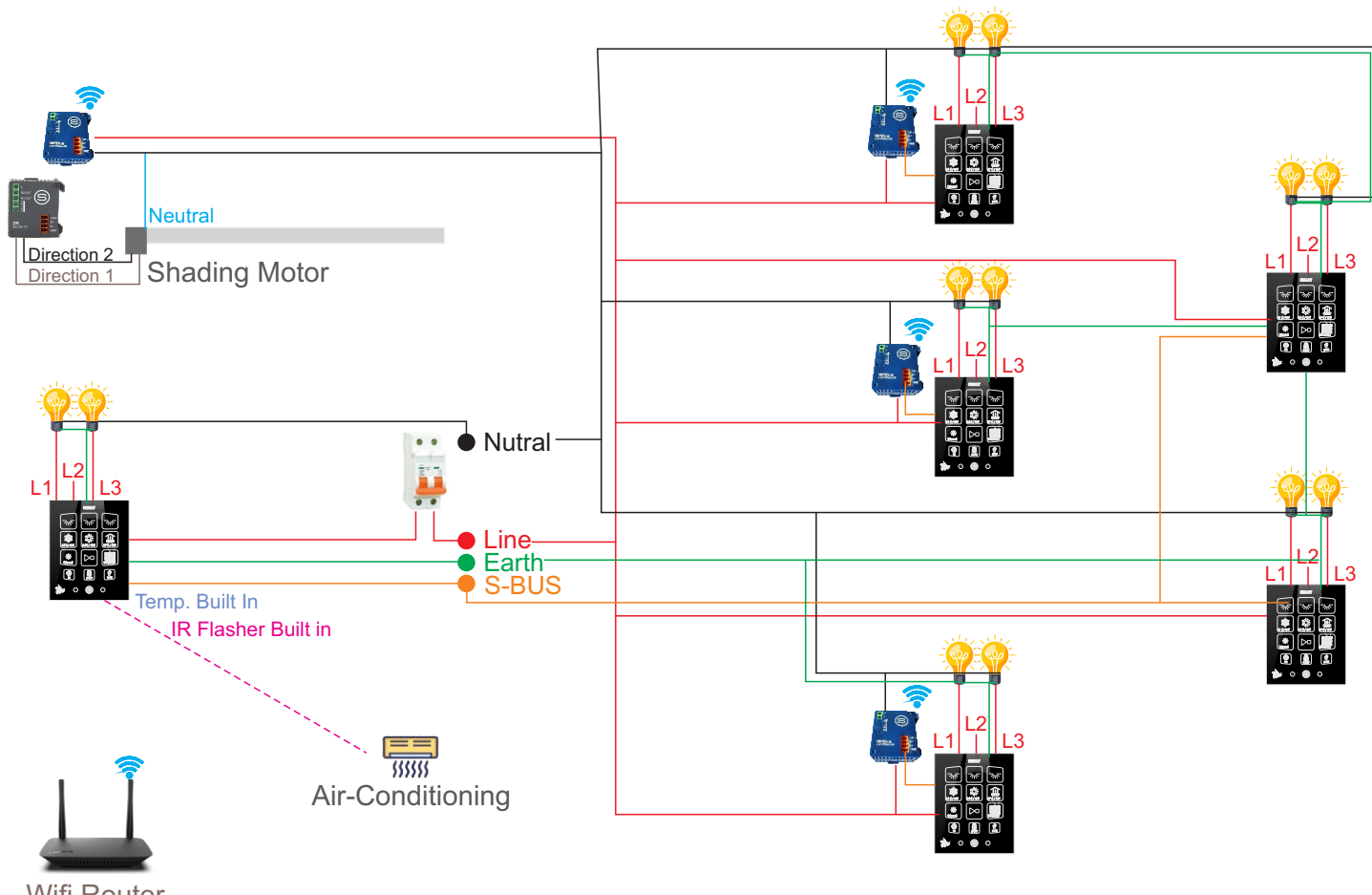
- Main Cable
- Line 220V
- Neutral
- Earth
- Control STP





# Special Old Home

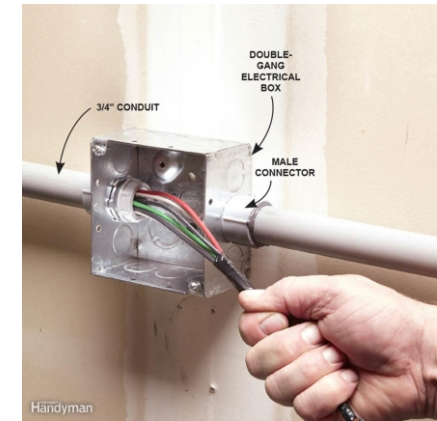
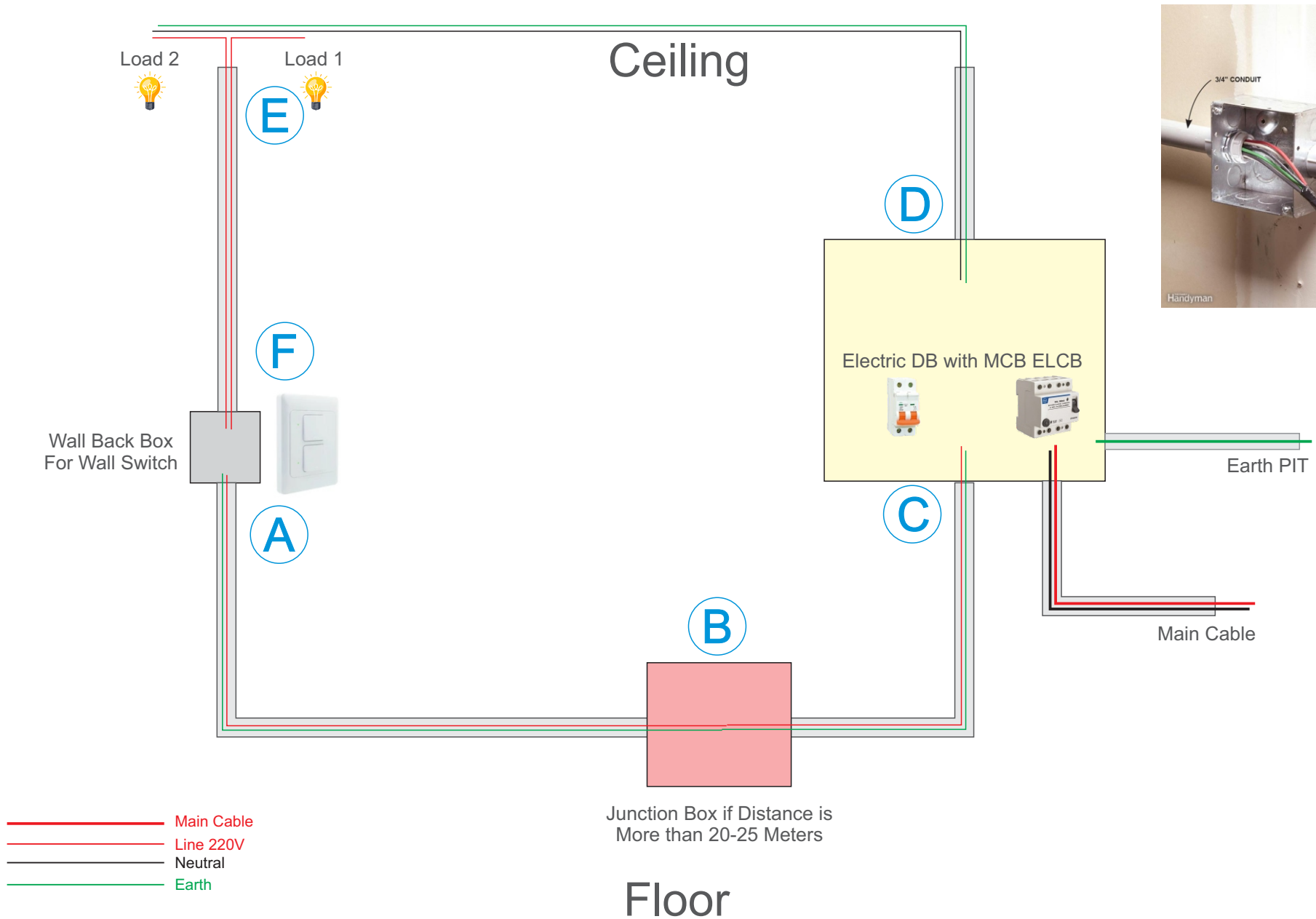
## Mixed Wired and Wireless Connection Examples



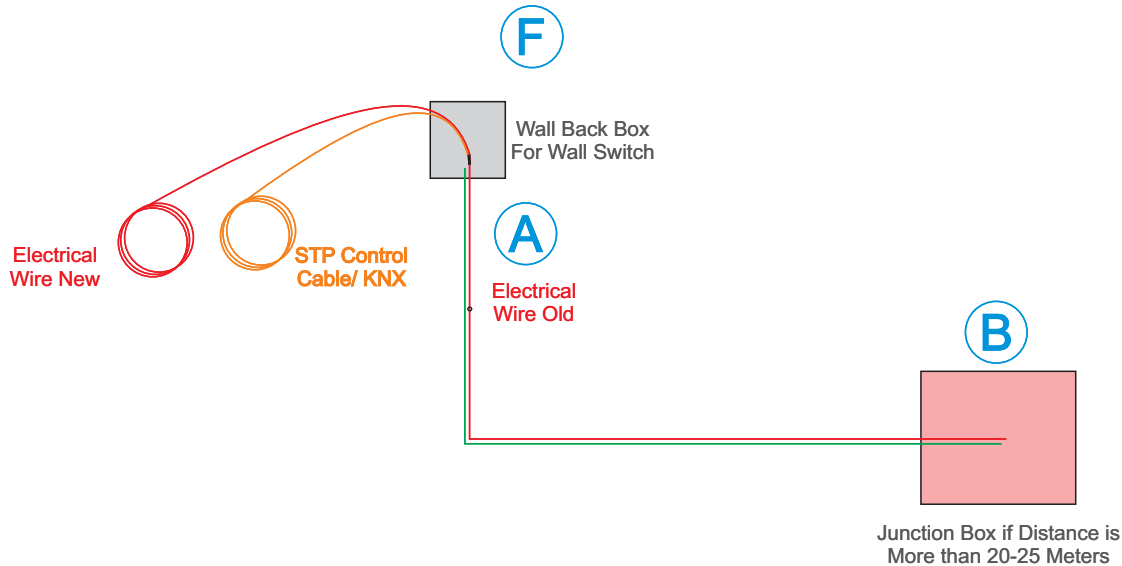
**Mixed Wired and Wireless Control with Mini-Hornet and S-BUS devices**

- Main Cable
- Line 220V
- Neutral
- Earth
- Control STP

# Standard Lighting Loads Electrical Wiring



# How to Pull data wire inside electrical conduit (existing House)



Step 1:

At (C) Disconnect Old Electric Wire from Mains and Power off Electricity for Safety

Step 2:

At (A) Connect New Electric wire and STP New wire to the Old Electric wire (Securely)

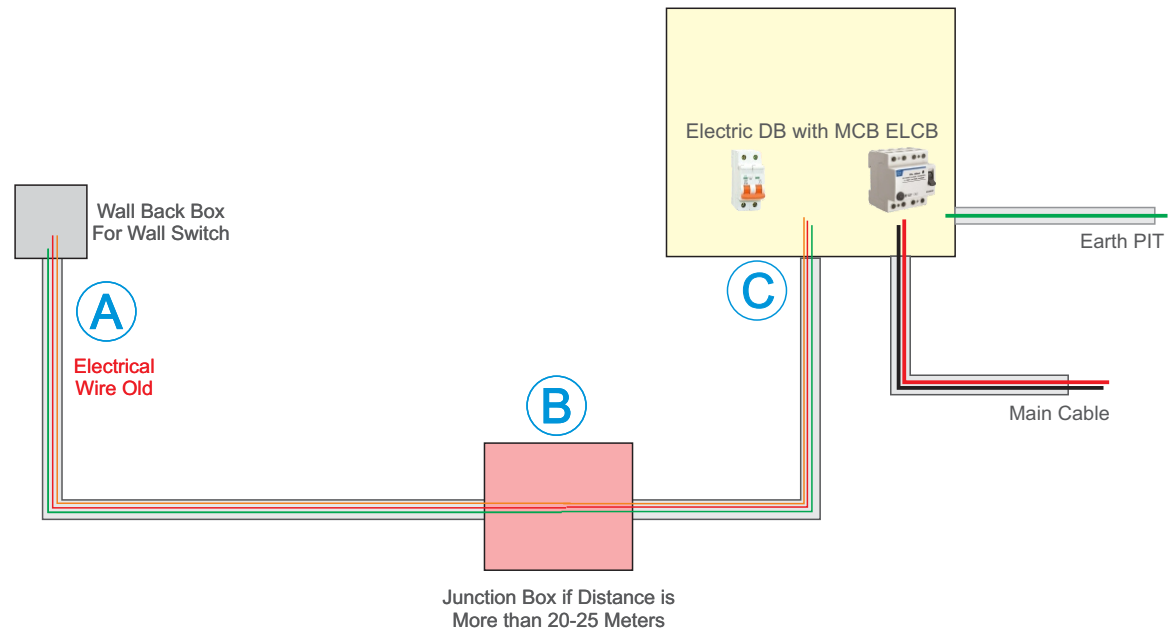
The trick to add STP control Wire might be to use an existing old wire that is already there as a pull wire and to pull your new 2 wires (New Replacement+STP) in with

Step 3:

At (B) Pull the Old Electric wire until Both New wires has been pulled together replacing old

Step 4:

At (C) Continue to Pull the Old Electric wire until Both New wires has been pulled together replacing old completely. (Joc is done)



- Main Cable
- Line 220V
- Neutral
- Earth
- Control STP



CUTTING EDGE

ELEGANT

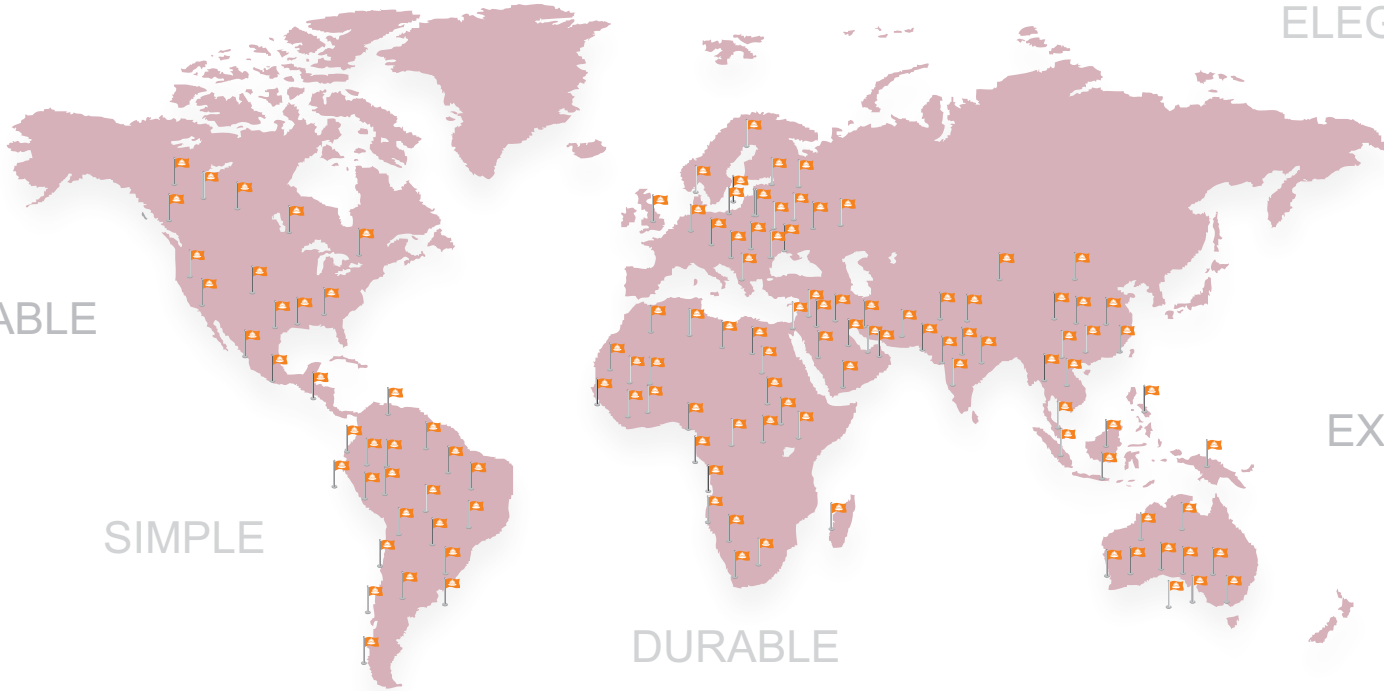
AFFORDABLE

EXPANDABLE

SIMPLE

DURABLE

SMART



[www.smartg4.com](http://www.smartg4.com)



SMART Group Americas



Sweden | Nigeria | Canada | Hong Kong | Italy | Dubai